

# 1 All-Axis Servo Driven Type Take-Out Robot

YD2-0310S/D

Separate catalog available

## YD2-0310S/D

Productivity enhancement, downtime reduction, and environment-conscious models support easy introduction in low-clearance installations



For CE supported languages, please contact our sales department.

Clamping force 30 - 100 tf

Vibration control

Optimized design + Power-saving

Low posture (Double speed mechanism)

All-axis servo-driven

### All-Axis Servo Driven Take-out Robot Enhancing Customer Profitability and Environmental Measures

Combining design optimization, CFRPv3, and vibration control contribute to shorter cycle time and stable take-out. We have refined our unique ECO Vacuum™ technology to reduce compressed air consumption even further. As a result, robot air consumption can be economized and can reduce capital expenditures. The YD2-0310 is sized for molding machines with clamping forces from 30 to 100 tf.

### Equipped with E-touch compact 3 as standard



- Smart ECO Vacuum
- Take-out Diagnosis Function
- Torque Monitoring during Manual Operation

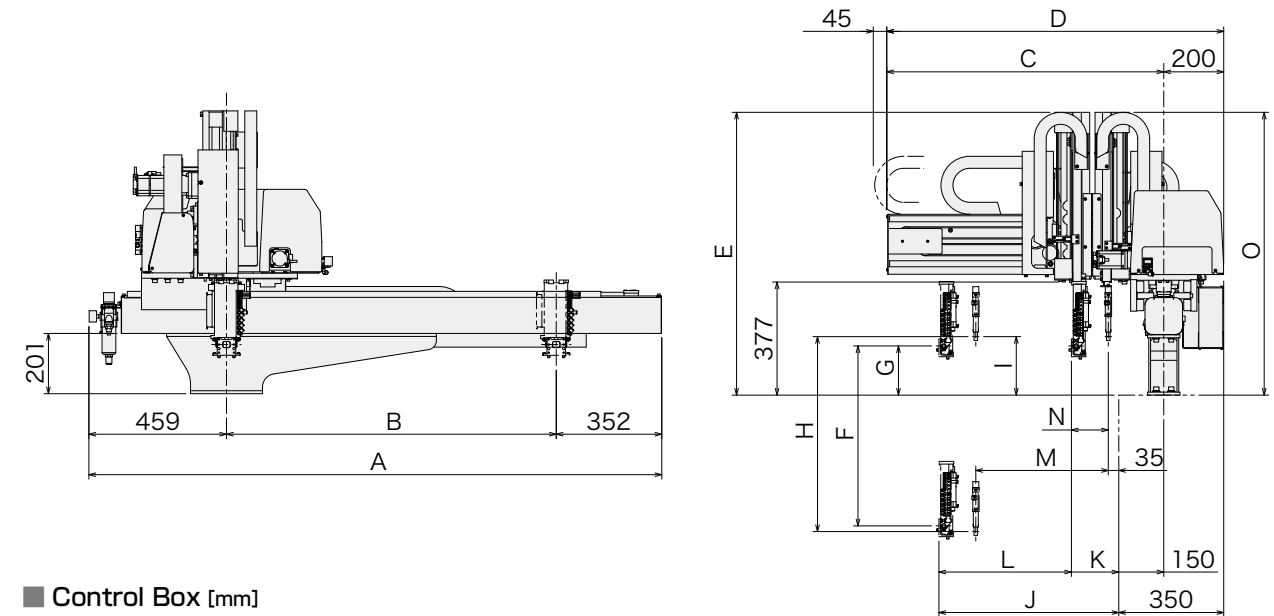
The E-touch compact 3 takes the easy operability of the previous YC series controller. And several assist features to become even easier to use.

### Standard Specifications

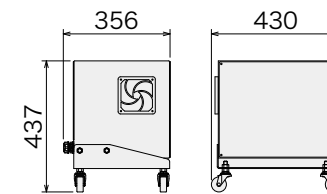
Power supply		Drive method		Controller model		Working air pressure		Flip angle		
1 phase AC200/220 V (50/60 Hz)		Digital servo motor 3/5-axis		E-touch compact 3		0.49 MPa		90°		
Model	Power consumption	Traverse stroke [mm]	Kick stroke [mm]		Vertical stroke [mm]		Air consumption [NL/cycle]	Payload [kg]	Noise [dBA]	Target IMM clamp capacity [tf]
			Main arm	Sub arm	Main arm	Sub arm				
YD2-0310S	1.4 kVA AC200 V 7.0 A	1100 (1400) (1700)	500	—	600 (700)	—	3.2 Smart ECO Vacuum OFF	3 (5)	70.8	30-100
YD2-0310D	1.9 kVA AC200 V 9.5 A	—	442	442	650 (750)	0.9 Smart ECO Vacuum ON				

S type : Robot is equipped with main arm only. D type : Robot is equipped with main arm and sub arm. ( ) : Modified stroke ( ) : Increased maximum payload Payload includes the end-of-arm tool.

### Dimensional Drawings [mm]



### Control Box [mm]



[mm]

Model	A	B	C	D	E	F	G	H	I	J	K	L	M	N	O
YD2-0310S	1911 (2211) (2511)	1100 (1400) (1700)	924	1124	943 (999)	600 (700)	164	—	—	600	100	500	—	—	—
YD2-0310D	—	—	—	—	—	—	—	650 (750)	195	—	158	442	442	123	943 (999)

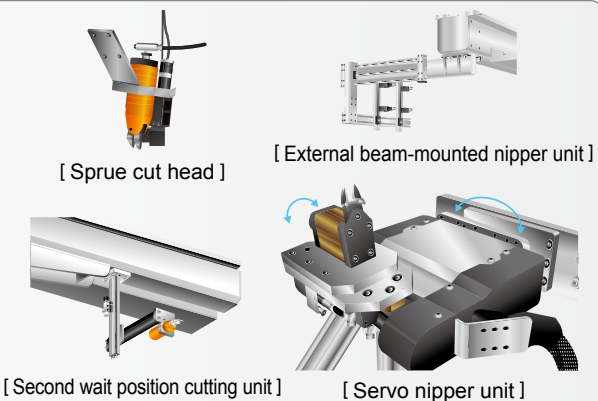
( ) : Modified stroke

### We provide solutions to your unique cutting needs

Yushin offers different options for cutting gates, sprues, and runners. A variety of cutting options are available, including nipper units and other precision cutting units.

### Features

We have a selection of installations that cater to your needs, including the full range from rough cutting to precision cutting with quality cutting surfaces and efficient operation that minimizes the impact on cycle time.



YD2-0310S/D

All-Axis Servo Driven Type Take-Out Robot