

Separate catalog available

YD-1025S/D, YD-2535S/D

Enhanced design for higher productivity, less downtime, and lighter environmental footprint.



Clamping force 100 - 350 tf

Vibration control

Optimized design + Power-saving

All-axis servo-driven



For CE supported languages, please contact our sales department.

All-Axis Servo Driven Take-out Robot Enhancing Customer Profitability and Environmental Measures

Combining design optimization, CFRPV3, and vibration control contribute to shorter cycle time and stable take-out. We have refined our unique ECO Vacuum™ technology to reduce compressed air consumption even further. As a result, robot air consumption can be economized and can reduce capital expenditures. The YD-1025/2535 is sized for molding machines with clamping forces from 100 to 350 tf.

Equipped with E-touch compact 3 as standard



- Smart ECO Vacuum
- Take-out Diagnosis Function
- Torque Monitoring during Manual Operation

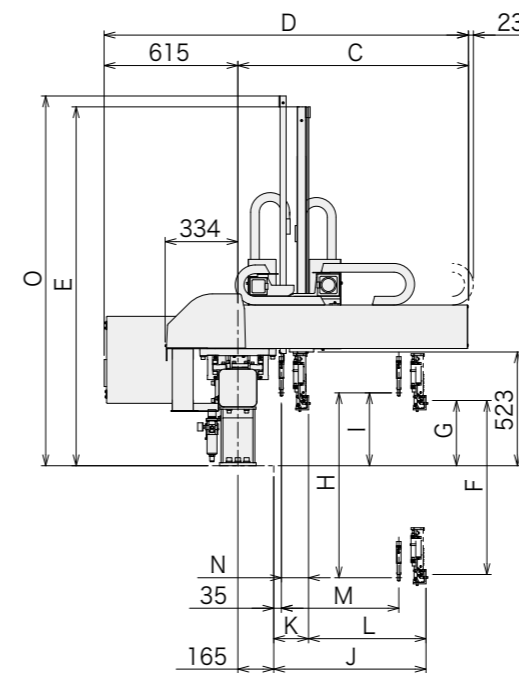
The E-touch compact 3 takes the easy operability of the previous YC series controller. And several assist features to become even easier to use.

Standard Specifications

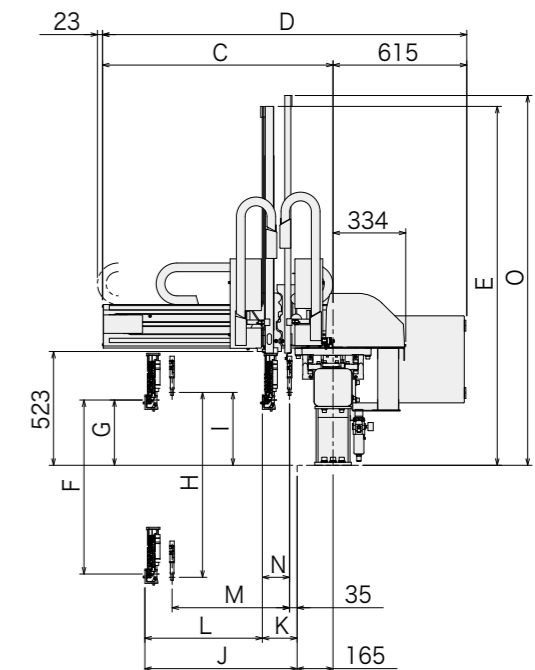
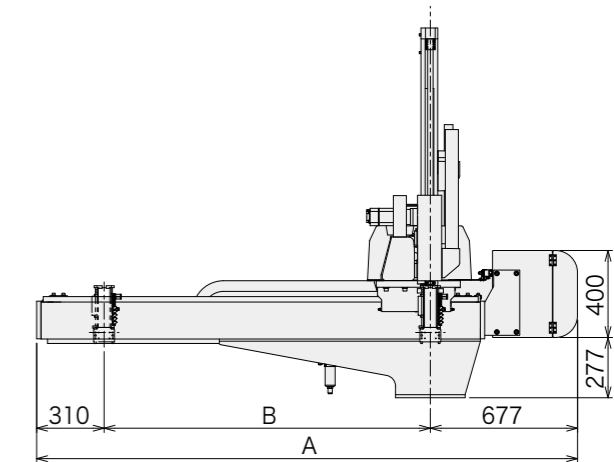
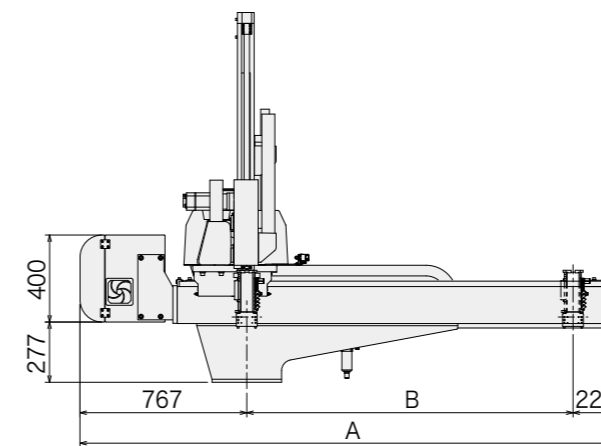
Power supply		Drive method		Controller model		Working air pressure		Flip angle		
1 phase AC200/220 V (50/60 Hz)		Digital servo motor 3/5-axis		E-touch compact 3		0.49 MPa		90°		
Model	Power consumption	Traverse stroke [mm]	Kick stroke [mm]		Vertical stroke [mm]		Air consumption [NL/cycle]	Payload [kg]	Noise [dBA]	Target IMM clamp capacity [tf]
			Main arm	Sub arm	Main arm	Sub arm				
YD-1025S	S type 1.9 kVA AC200 V 9.3 A	(1100) 1500 (1700) (1900)	625	—	(650) 800 (900)	—	3.5 Smart ECO Vacuum OFF 1.2 Smart ECO Vacuum ON	5 (8)	79.8	100-250
YD-1025D			540	540	850 (950)					
YD-2535S	D type 2.5 kVA AC200 V 12.3 A	(2200) (2500)	775	—	900 (1050)	—	3.9 Smart ECO Vacuum OFF 1.4 Smart ECO Vacuum ON	79.1	250-350	
YD-2535D			690	690	950 (1100)					

S type : Robot is equipped with main arm only. D type : Robot is equipped with main arm and sub arm.
() : Modified stroke (>) : Increased maximum payload
Payload includes the end-of-arm tool.

Rear (Non-operator) Side Discharge Direction [mm]



Operator Side Discharge Direction [mm]



[mm]

Model	A	B	C	D	E	F	G	H	I	J	K	L	M	N	O
YD-1025S					(1498) 1650 (1754)	(650) 800 (900)		—	—		75	625	—	—	—
YD-1025D	(2087) 2487 (2687) (2887) (3187) (3487)	(1100) 1500 (1700) (1900) (2200) (2500)	1060	1675			300	(700) 850 (950)	335	700	160	540	540	125	(1548) 1700 (1804)
YD-2535S					1754 (1906)	900 (1050)		—	—		75	775	—	—	—
YD-2535D			1210	1825				950 (1100)	335	850	160	690	690	125	1804 (1956)

() : Modified stroke