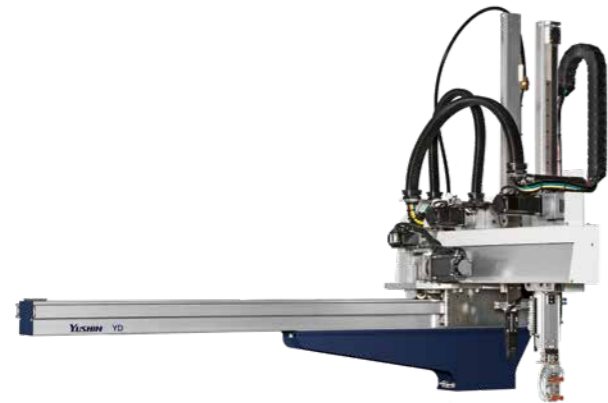


Separate catalog available

## YD-0103S/D

Enhanced design for higher productivity, less downtime, and lighter environmental footprint.



For CE supported languages, please contact our sales department.

Clamping force 30 tf or less

Vibration control

Optimized design + Power-saving

All-axis servo-driven

All-Axis Servo Driven Type

Swing Type

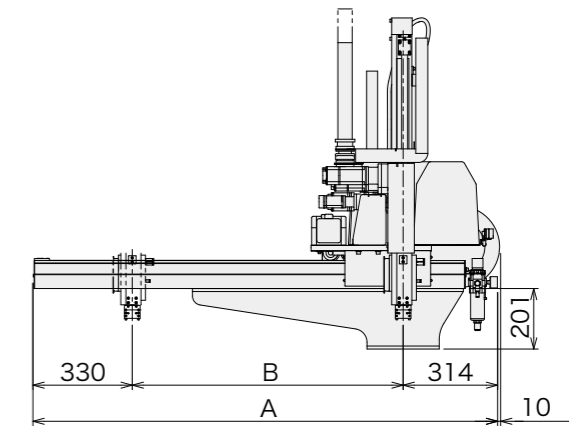
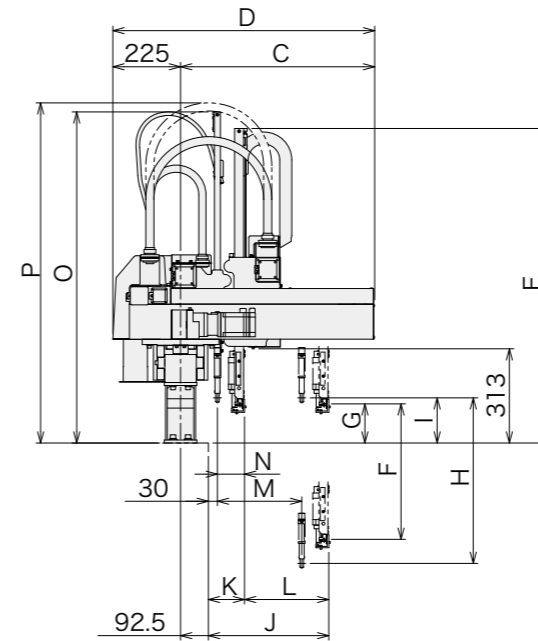
Side Entry Type

For Vertical Molding Machine

Stock System

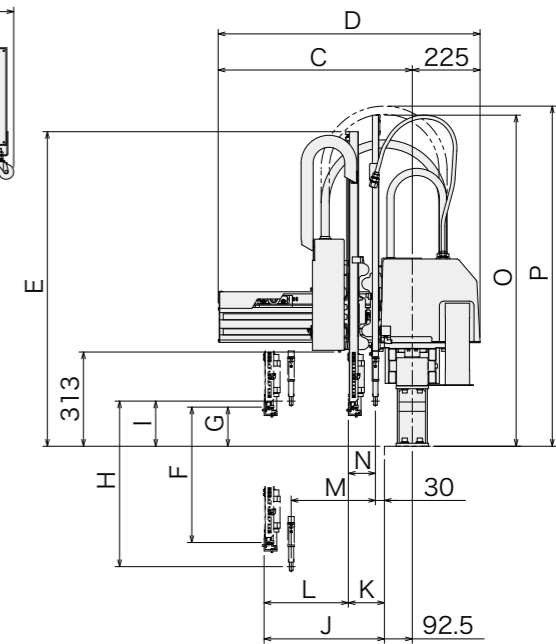
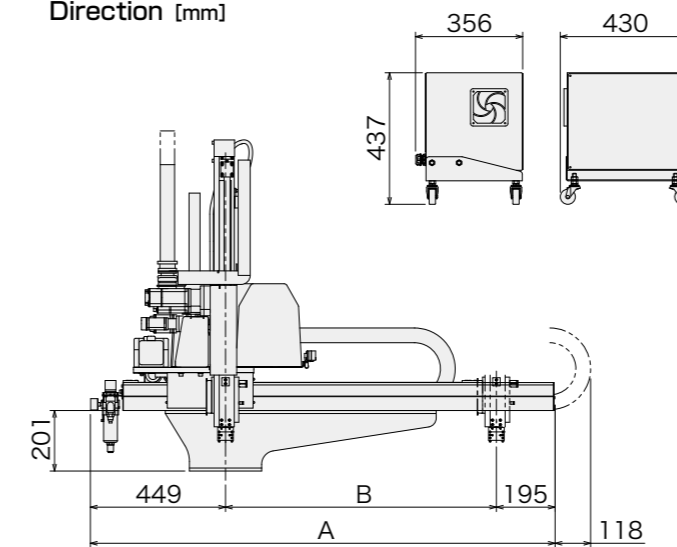
Product Series Guide [P11]

Rear (Non-operator) Side Discharge Direction [mm]



Operator Side Discharge Direction [mm]

Control Box [mm]



### All-Axis Servo Driven Take-out Robot Enhancing Customer Profitability and Environmental Measures

Combining design optimization, CFRPv3, and vibration control contribute to shorter cycle time and stable take-out.

We have refined our unique ECO Vacuum™ technology to reduce compressed air consumption even further. As a result, robot air consumption can be economized and can reduce capital expenditures.

The smallest model in the YD series lineup, the YD-0103 is sized for the smallest molding machines with a clamping force of 30 tf or less and is optimal for taking out small high-precision products.

### Equipped with E-touch compact 3 as standard



- Smart ECO Vacuum
- Take-out Diagnosis Function
- Torque Monitoring during Manual Operation

The E-touch compact 3 takes the easy operability of the previous YC series controller. And several assist features to become even easier to use.

### Standard Specifications

Power supply		Drive method		Controller model		Working air pressure		Flip angle		
1 phase AC200/220 V (50/60 Hz)		Digital servo motor 3/5-axis		E-touch compact 3		0.49 MPa		90°		
Model	Power consumption	Traverse stroke [mm]	Kick stroke [mm]		Vertical stroke [mm]		Air consumption [NL/cycle]	Payload [kg]	Noise [dBA]	Target IMM clamp capacity [tf]
			Main arm	Sub arm	Main arm	Sub arm				
YD-0103S	1.9 kVA AC200 V 9.3 A	900 (1200) (1600)	320 (470)	—	450 (550)	—	2.3 Smart ECO Vacuum OFF	2 (3)	76.8	30 or less
YD-0103D	2.2 kVA AC200 V 10.8 A	900 (1200) (1600)	280 (430)	280 (430)	550 (650)	550 (650)	0.8 Smart ECO Vacuum ON	2 (3)	76.8	30 or less

S type : Robot is equipped with main arm only. D type : Robot is equipped with main arm and sub arm.

( ) : Modified stroke ( ) : Increased maximum payload

Payload includes the end-of-arm tool.

The 1600mm extended traverse stroke option includes the extended kick stroke as a set.

[mm]

Model	A	B	C	D	E	F	G	H
YD-0103S	1544 (1844) (2244)	900 (1200) (1600)	645 (795)	870 (1020)	1045 (1145)	450 (550)	130	—
YD-0103D								550 (650)

Model	I	J	K	L	M	N	O	P*
YD-0103S	—	400 (550)	80	320 (470)	—	—	1100 (1200)	(1130)
YD-0103D	150		120	280 (430)	280 (430)	90		(1110)

( ) : Modified stroke

\* For modified kick stroke

All-Axis Servo Driven Type Take-Out Robot

YD-0103S/D